

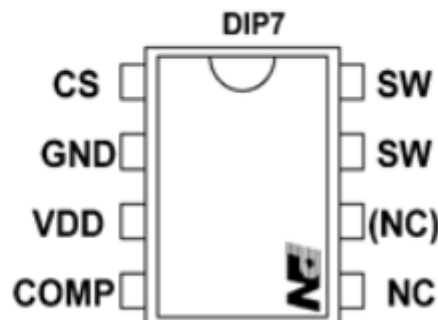
## PN8145 parameter

<b>manufacturer</b>	Wuxi Chipown Microelectronics Co., Ltd.
<b>Product Category</b>	AC/DC switching power supply conversion chip
<b>Product Features</b>	Ultra-low standby power consumption AC-DC conversion chip
<b>SW voltage</b>	0~650V
<b>backup power</b>	<50mW
<b>resistance</b>	13Ω
<b>Adapt output power</b>	8W
<b>Open Frame Output Power</b>	10W
<b>frequency</b>	60kHz
<b>VDD working voltage</b>	9~24V
<b>encapsulation</b>	DIP7
<b>Replacement model</b>	/

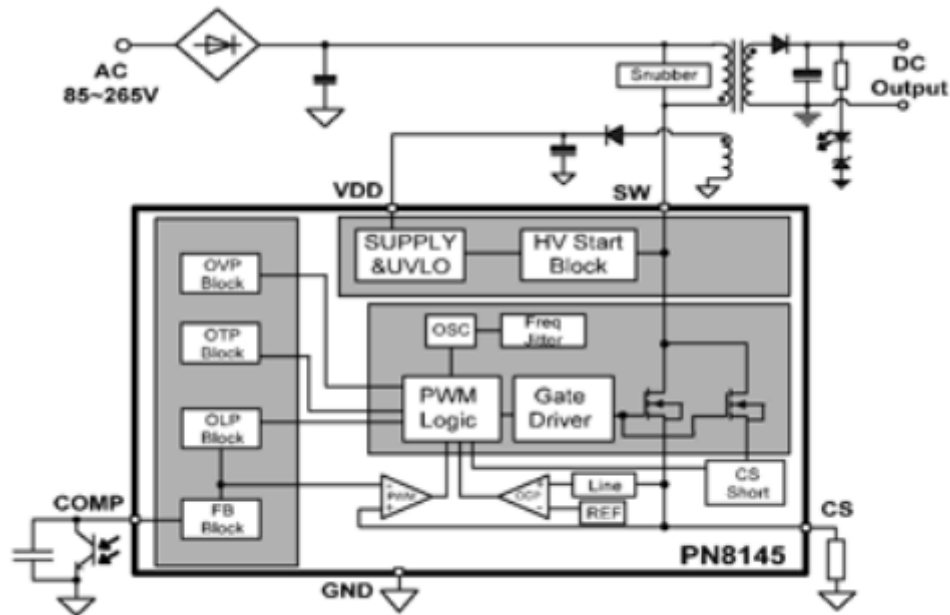
## PN8145 Overview

PN8145 integrates a pulse width modulation controller and a new generation of high-reliability power MOSFETs, and is dedicated to AC-DC switching power supplies with high performance and simplified peripheral components. The chip provides extremely comprehensive and intelligent protection functions with excellent performance, including periodic over-current protection, overload protection, and soft-start functions. Through HI-mode, Eco-mode, Burst-mode three pulse power regulation mode hybrid technology and special device low power consumption structure technology to achieve ultra-low standby power consumption, the best efficiency under the full voltage range. Good EMI performance is fully guaranteed by frequency modulation technology and SoftDriver technology. The chip also has a built-in intelligent high-voltage start-up module. The PN8145 provides an advanced implementation platform for cost-effective flyback switching power supply systems that require ultra-low standby power consumption, and is very suitable for VI-level energy efficiency, Eur2.0, and Energy Star applications.

## PN8145 pin diagram/pin function



## PN8145 typical application circuit diagram



## Application field

- Switching power adapter and battery charger
- Auxiliary power supply for white goods, personal computers, stereos, etc.
- LCD/PDP TV auxiliary power supply